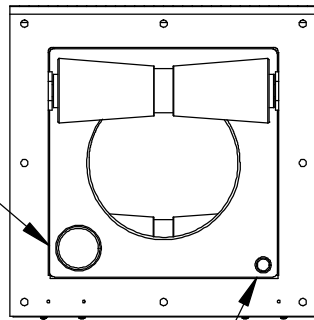
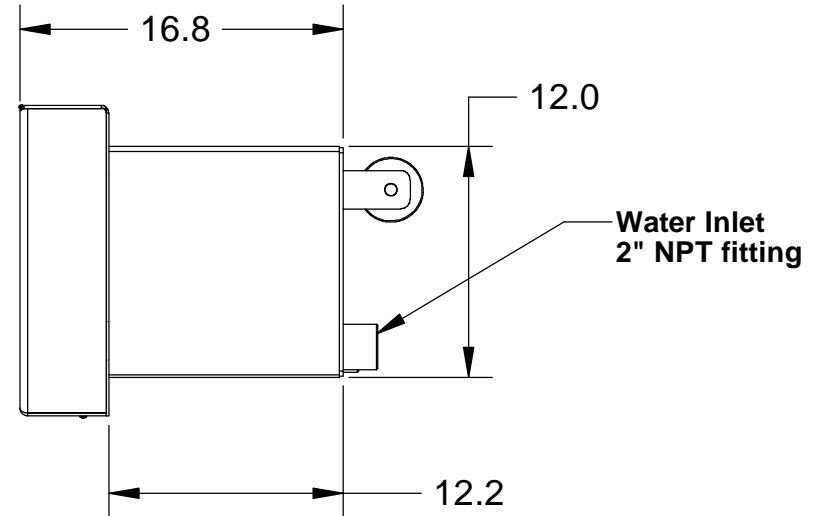


Water Inlet
2" NPT Fitting



Drain Valve
1/2" NPT fitted with ball valve



UNLESS OTHERWISE SPECIFIED: DIMENSIONS ARE IN INCHES TOLERANCES: FRACTIONAL ± ANGULAR: MACH ± BEND ± TWO PLACE DECIMAL ± THREE PLACE DECIMAL ± INTERPRET GEOMETRIC TOLERANCING PER: MATERIAL 304 / 316 SS FINISH #4 Grain DO NOT SCALE DRAWING	NAME	DATE	Performance Metal Technologies Inc. TITLE: Fire Hose Washer Tower Mount rear view SIZE DWG. NO. REV A 2 SCALE: 1:10 SHEET 1 OF 1
	DRAWN	02/06/2013	
	CHECKED	02/06/2013	
	ENG APPR.	02/06/2013	
	MFG APPR.	02/06/2013	
Q.A.	02/06/2013	COMMENTS: Drawing for general dimensions only.	

PROPRIETARY AND CONFIDENTIAL
The information contained in this drawing is the sole property of Performance Metal Technologies Inc.. Any reproduction in part or as a whole without the written permission of Performance Metal Technologies Inc. is prohibited.